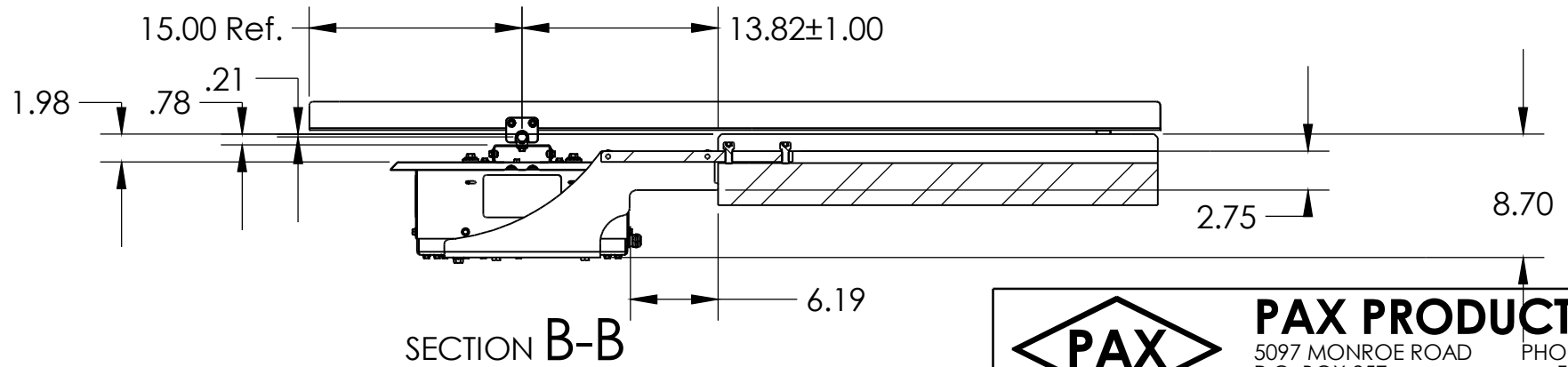
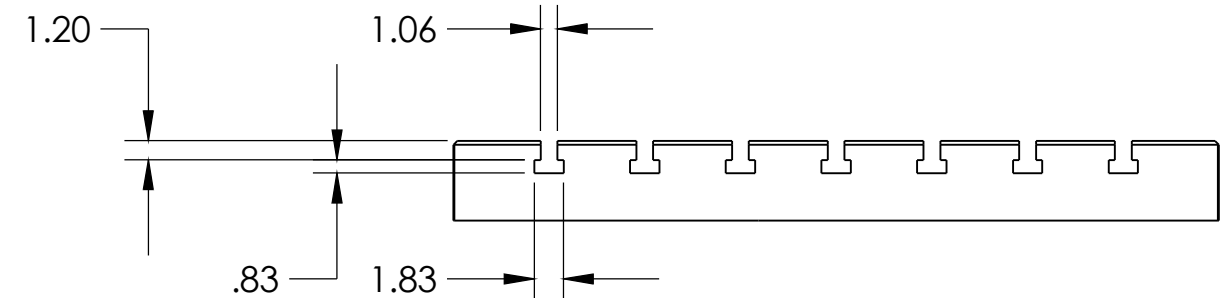
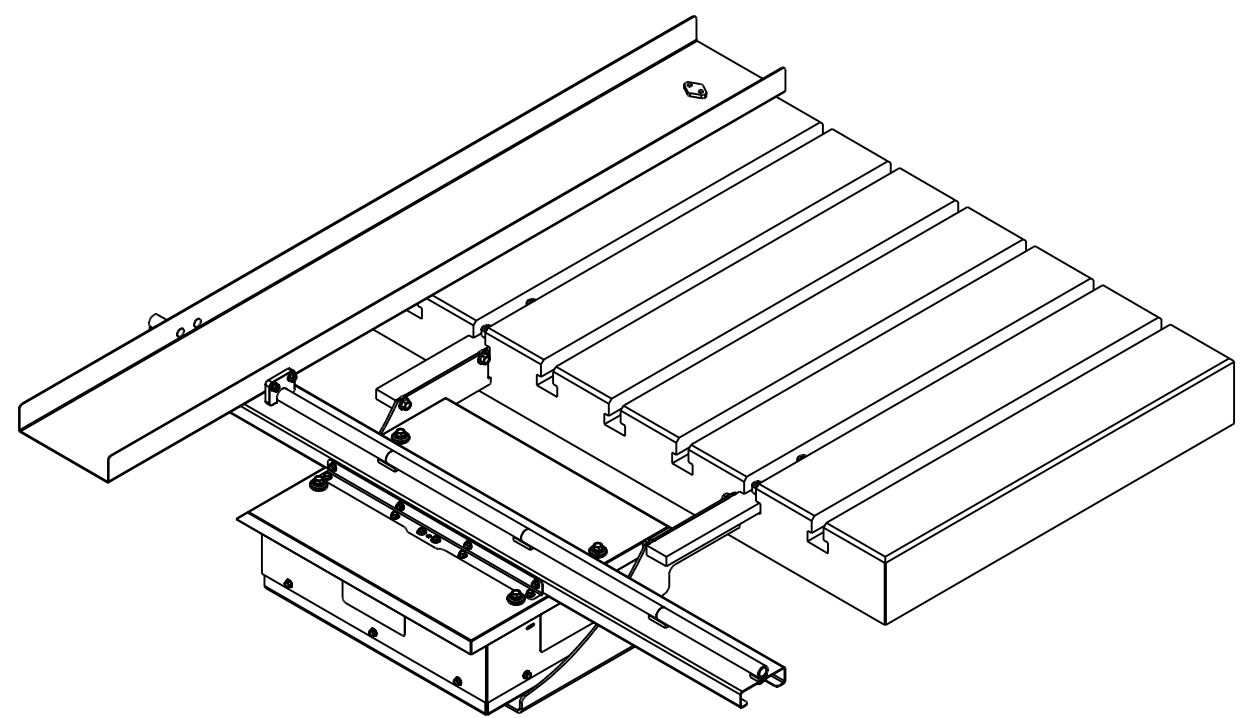
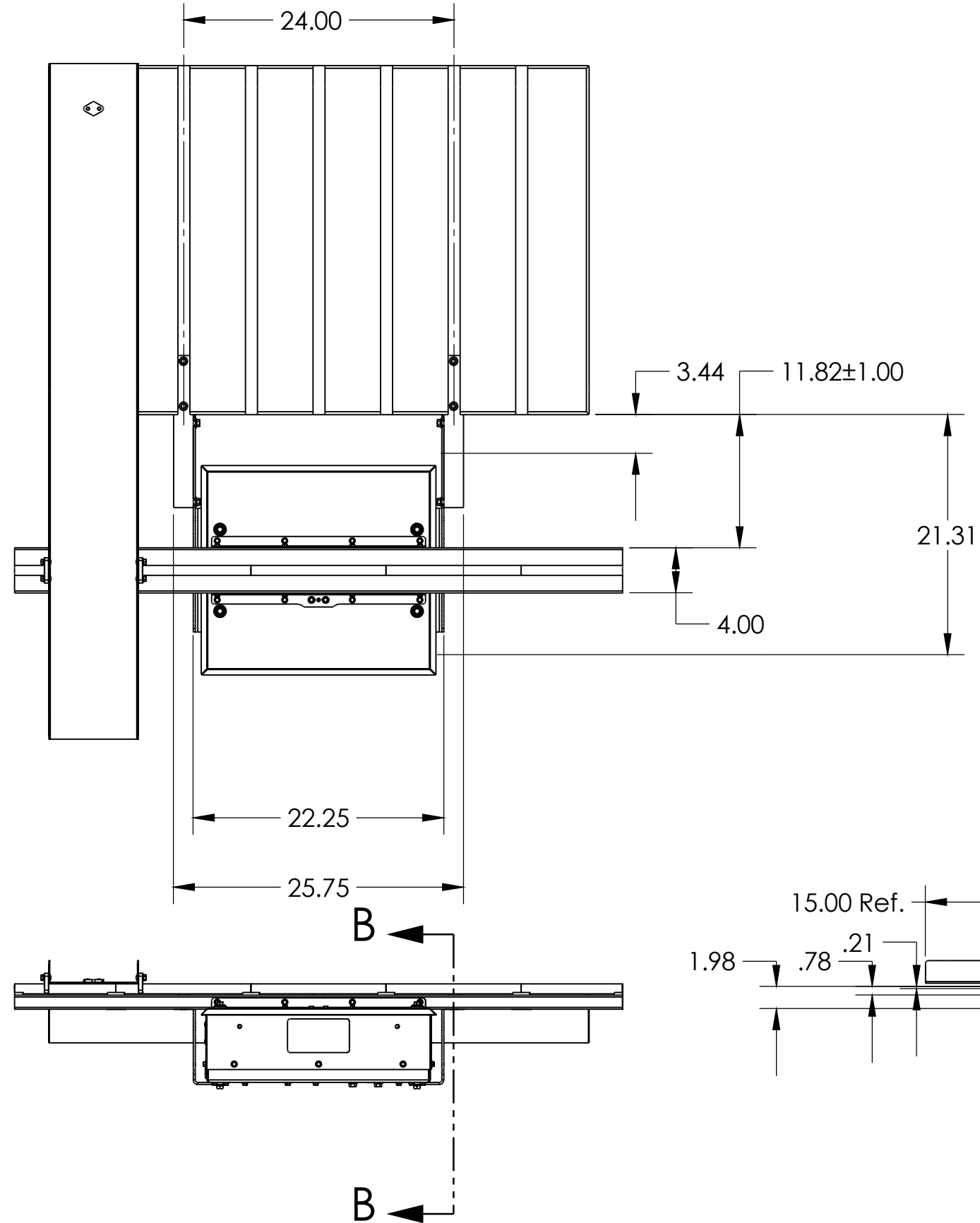


PAX PRODUCTS, INC.
5097 MONROE ROAD PHONE: (419)586-6948
P.O. BOX 257 FAX: (419)586-6932
CELINA, OHIO 45822-0257

PROPRIETARY AND CONFIDENTIAL		UNLESS OTHERWISE SPECIFIED:		TITLE:	
THE INFORMATION CONTAINED IN THIS DRAWING IS THE SOLE PROPERTY OF PAX PRODUCTS, INC. . ANY REPRODUCTION IN PART OR AS A WHOLE WITHOUT THE WRITTEN PERMISSION OF PAX PRODUCTS, INC. IS PROHIBITED.		DIMENSIONS ARE IN INCHES TOLERANCES: ANGULAR: MACH± .1 BEND ± .5 TWO PLACE DECIMAL ± .010 THREE PLACE DECIMAL ± .003 FOUR PLACE DECIMAL ± .0005		OFF-CENTER LOADING	
DO NOT SCALE DRAWING		MATERIAL:		SIZE DWG. NO.	
REVISION 1		WEIGHT: 2058.30		SHEET 1 OF 2	
		SCALE: 1:12		DRAWN BY: BJP DATE: 7/26/2018	
				B EGD-125-6001-1 DIE SECTION	



PAX **PAX PRODUCTS, INC.**
 5097 MONROE ROAD PHONE: (419)586-6948
 P.O. BOX 257 FAX: (419)586-6932
 CELINA, OHIO 45822-0257

PROPRIETARY AND CONFIDENTIAL		UNLESS OTHERWISE SPECIFIED:		TITLE:	
THE INFORMATION CONTAINED IN THIS DRAWING IS THE SOLE PROPERTY OF PAX PRODUCTS, INC. . ANY REPRODUCTION IN PART OR AS A WHOLE WITHOUT THE WRITTEN PERMISSION OF PAX PRODUCTS, INC. IS PROHIBITED.		DIMENSIONS ARE IN INCHES TOLERANCES: ANGULAR: MACH ± .1 BEND ± .5 TWO PLACE DECIMAL ± .010 THREE PLACE DECIMAL ± .003 FOUR PLACE DECIMAL ± .0005		OFF-CENTER LOADING	
DO NOT SCALE DRAWING		MATERIAL:		SIZE DWG. NO.	
REVISION 1		WEIGHT: 2058.30		B EGD-125-6001-1 DIE SECTION	
SHEET 2 OF 2		SCALE: 1:12		DRAWN BY: BJP DATE: 7/26/2018	