

PARTS LIST

FOR ORDERING REPAIR AND REPLACEMENTS PARTS, SEND
ORDERS TO:

Model 1000
15 gallon
Original System

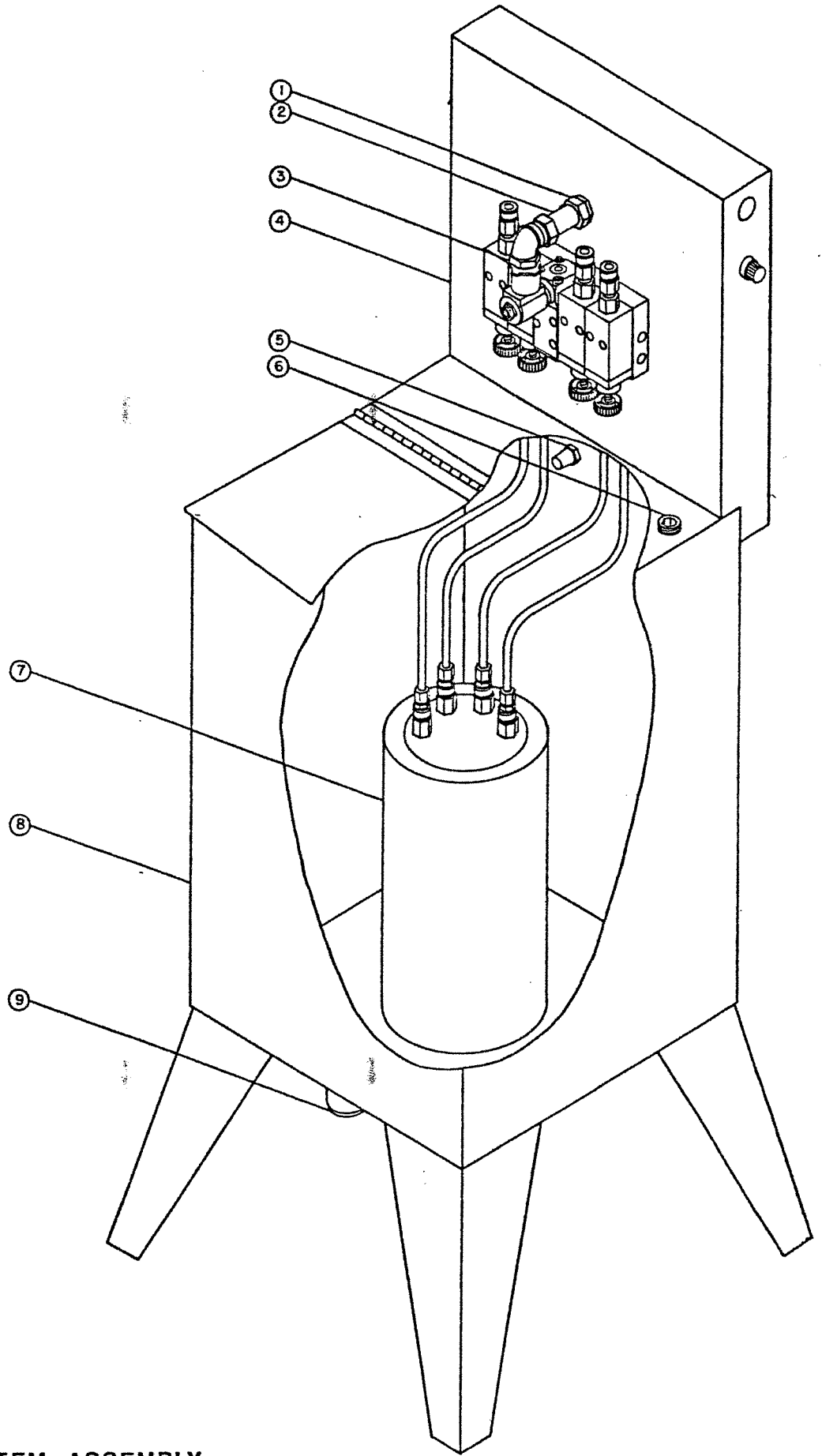
WHEN ORDERING REPAIR AND REPLACEMENT PARTS, FURNISH
MODEL NUMBER AND SERIAL NUMBER OF THE PAX LUBE
SYSTEM.

PAX PRODUCTS, INC. RESERVES THE RIGHT TO DISCONTINUE
OR CHANGE SPECIFICATIONS, DESIGNS AND MATERIALS,
WITHOUT NOTICE, CONSISTENT WITH SOUND ENGINEERING
PRINCIPLES AND RECOGNIZED MODERN PRACTICES.

<u>KEY NO</u>	<u>PART NO</u>	<u>DESCRIPTION</u>	<u>QTY</u>
1	05-1301-20	1/2" EMT Conduit Connector	1
2	05-1303-40	1/2" EMT Conduit	1
3	05-1302-20	1/2" EMT Conduit Elbow	1
4	01-2035-30	Mounting Plate 2 Pump Unit - 15 Gallon	1
	01-2036-30	4 Pump Unit - 15 Gallon	1
	01-2037-30	6 Pump Unit - 15 Gallon	1
	01-2038-30	8 Pump Unit - 15 Gallon	1
	01-2039-30	10 Pump Unit - 15 Gallon	1
	01-2081-30	6 Pump Unit - 30 Gallon	1
	01-2082-30	8 Pump Unit - 30 Gallon	1
	01-2084-30	10 Pump Unit - 30 Gallon	1
5	01-0919-21	Exhaust Muffler	1
6	01-1202-21	Pipe Plug	1
7**	01-2011-31	Filter Assembly	1
8	01-2009-34	15 Gallon Reservoir	1
	01-2080-31	30 Gallon Reservoir	1
9	01-1203-21	Pipe Plug	2

NOTE: **When ordering, state number of pumps on system.

6/01/90



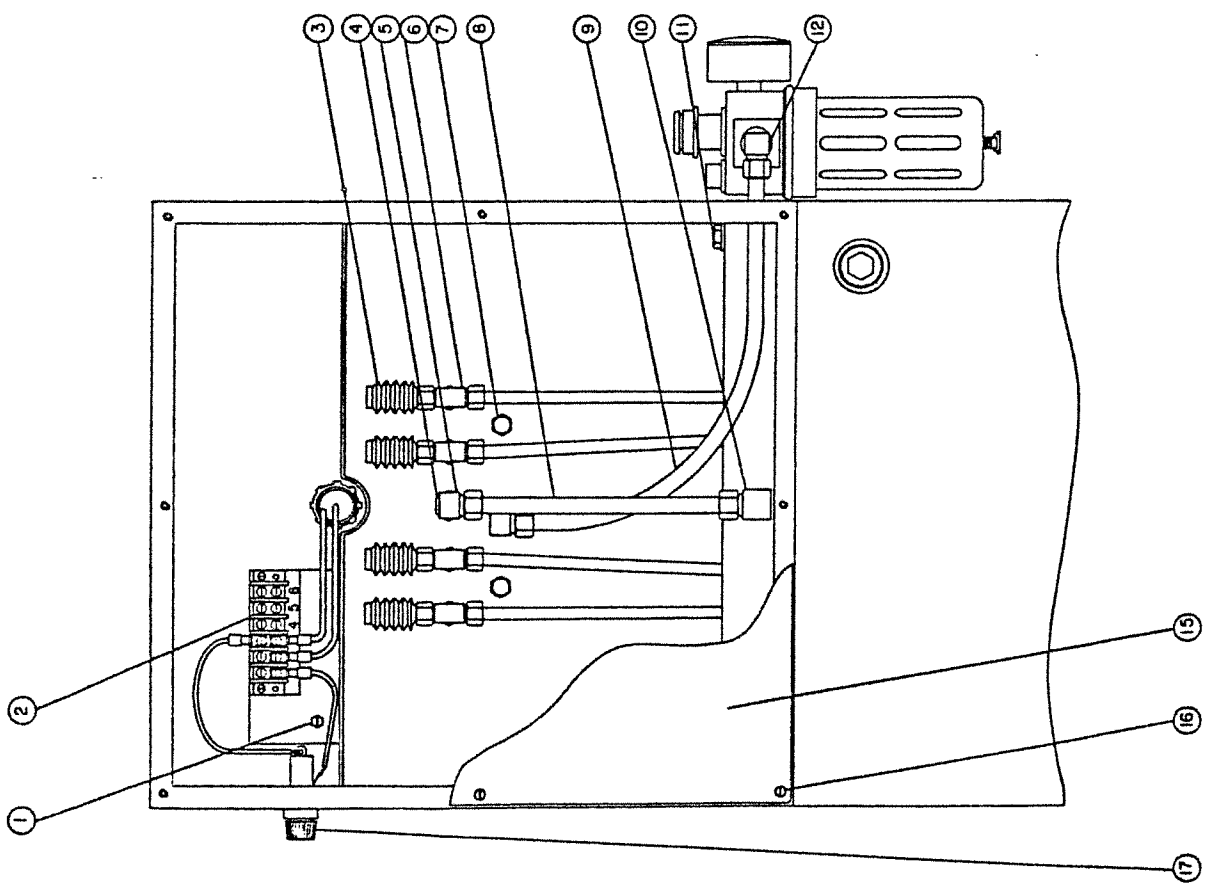
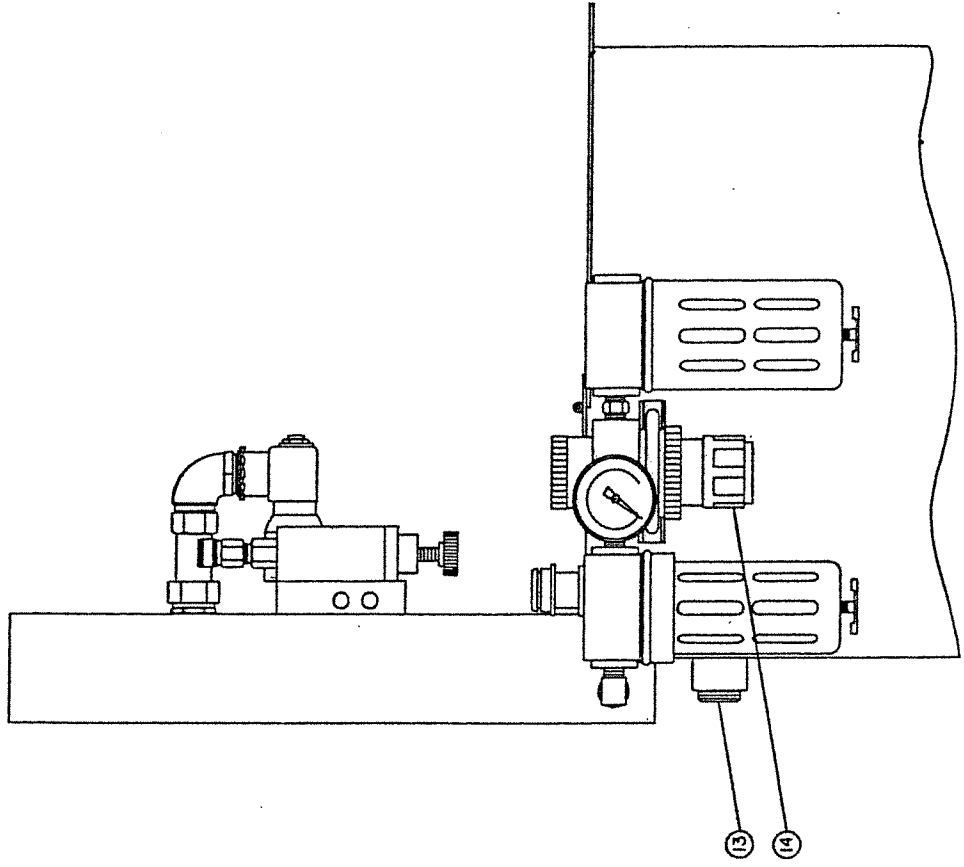
LUBE SYSTEM ASSEMBLY

<u>KEY NO</u>	<u>PART NO</u>	<u>DESCRIPTION</u>	<u>QTY</u>
1	01-0125-20	#8-32 Grounding Screw	1
2	01-1305-20	Terminal Strip	1
	01-1306-20	Terminal Strip Marker	1
	01-0124-20	#8-32 Round Head Machine Screws	2
3	01-0701-41	Accumulator	*
	01-0929-20	Compression Sleeve	*
	01-0930-20	Compression Nut	*
4	01-0913-20	Adapter	1
5	01-0903-20	Male Elbow	2
6	01-0904-20	Male Tee	*
7	01-0107-20	Hex Head Cap Screws (Consist of)	
	01-0117-20	1/4-20 x 1/2" Hex Head Cap Screw	2
	01-0119-20	1/4" Lock Washer	2
8	01-1106-41	3/8" x 7" Air Exhaust Line	1
9	01-1103-40	3/8" x 12" Air Inlet Line	1
10	01-0918-41	Female Elbow	1
11	01-0106-21	Hex Head Cap Screws (Consist of)	
	01-0117-20	1/4-20 x 1/2" Hex Head Cap Screws	4
	01-0121-20	1/4" Flat Washer	4
	01-0119-20	1/4" Lock Washer	4
	01-0120-20	1/4-20 Hex Nut	4
12	01-0905-20	Male Elbow	1
13	01-1203-21	Pipe Plug	1
14	01-2005-21	FRL Assembly (Consists of)	
	01-0906-21	Air Filter	1
	01-0907-21	Air Regulator	1
	01-0908-21	Air Lubricator	1
	01-0909-20	Air Gauge	1
	01-1205-20	1/4" NPT Brass Close Nipple	2
	01-1821-20	Panel Nut	1
	01-1822-20	Mounting Bracket	1
	01-0106-21	Hex Head Cap Screws (Consist of)	
	01-0117-20	1/4-20 x 1/2" Hex Head Cap Screws	2
	01-0121-20	1/4" Flat Washer	2
	01-0119-20	1/4" Lock Washer	2
	01-0120-20	1/4-20 Hex Nut	2
15	01-0703-21	Cover Plate - 15 Gallon	1
	01-0751-20	Cover Plate - 30 Gallon	1
16	01-0122-22	Button Head Cap Screws - 15 Gallon	8
	01-0122-22	Button Head Cap Screws - 30 Gallon	10
17	05-1313-20	Fuse Holder	1

NOTE: *One (1) required for each pump unit on system.

6/01/90

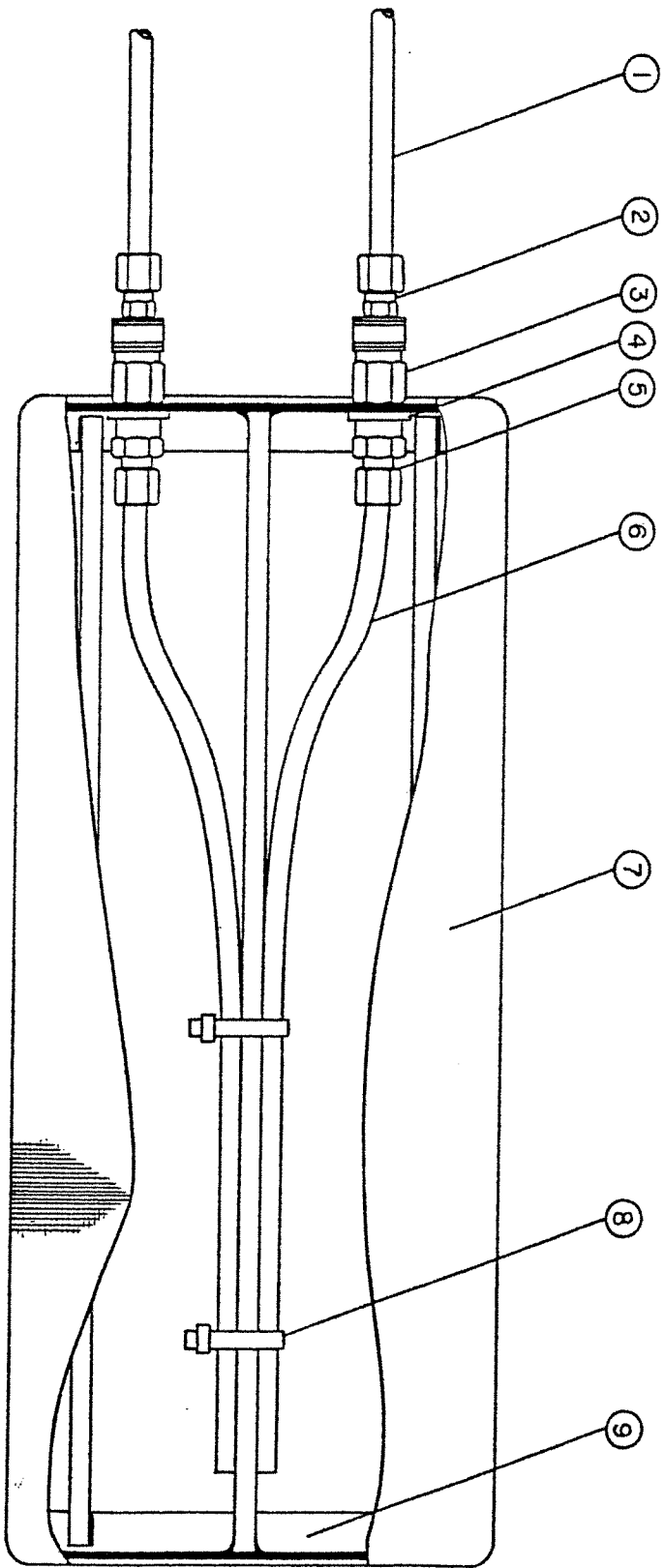
PANEL ASSEMBLY



<u>KEY NO</u>	<u>PART NO</u>	<u>DESCRIPTION</u>	<u>QTY</u>
1	01-1102-40	1/4" x 17" Pump Line	*
2	06-0928-32	Quick Connect Plug	*
3	01-0927-40	Quick Connect Coupling	*
4	01-0811-20	Nylon Washer	*
5	01-0910-20	Female Connector	*
6	01-1101-41	1/4" x 14" Suction Line	*
7	01-0802-21	75 Micron Filter Bag	1
8	01-0810-21	Cable Ties	2
9	01-2014-31	Filter Cage (State number of pumps on system)	1

NOTE: *One (1) required for each pump unit on system.

7/31/90

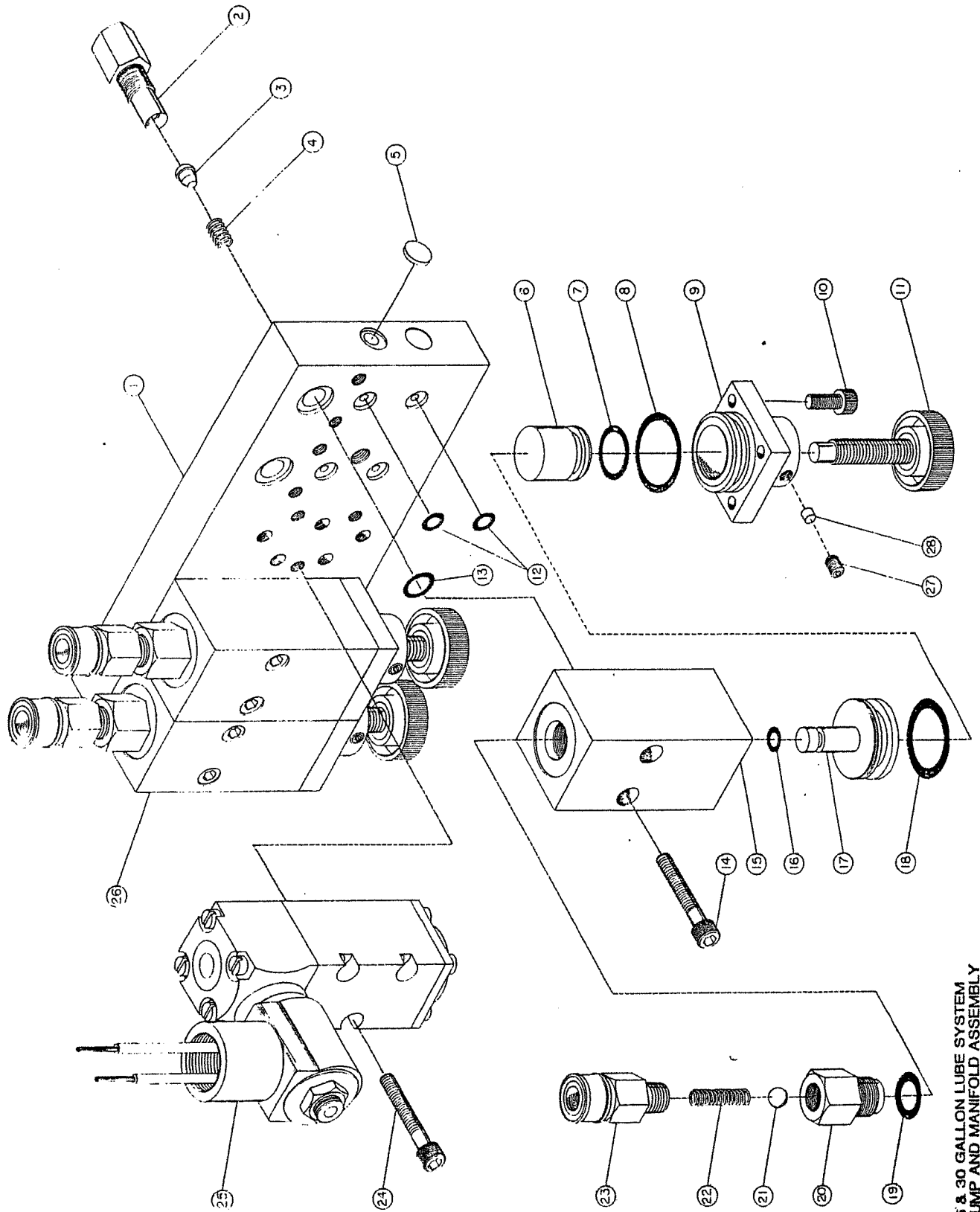


FILTER ASSEMBLY

<u>KEY NO</u>	<u>PART NO</u>	<u>DESCRIPTION</u>	<u>QTY</u>
1	02-2002-32	2 Pump Manifold	1
	02-2004-32	4 Pump Manifold	1
	02-2006-32	6 Pump Manifold	1
	02-2008-32	8 Pump Manifold	1
	02-2010-32	10 Pump Manifold	1
2	02-0501-15	Inlet Valve Seat	*
3**	03-0402-21	Inlet Check Poppet	1
4**	03-0301-20	Inlet Valve Spring	1
5	02-0502-12	Manifold Plug	5
6**	03-0606-14	Adjustment Piston	1
7**	03-0205-20	O-Ring	1
8**	03-0206-20	O-Ring	1
9**	03-0605-12	Pump Cap	1
10**	03-0101-20	#8-32 x 1/2 Socket Head Cap Screws	4
11**	03-0104-31	Adjustment Screw	1
12	03-0202-20	O-Ring	2
13	03-0216-21	O-Ring	1
14	03-0103-20	#10-32 x 1 1/4" Socket Head Cap Screws	2
15**	03-0607-13	Pump Body	1
	03-0609-10	Pump Body (High Volume)	1
16**	03-0202-20	O-Ring	1
	03-0203-20	O-Ring (High Volume)	1
17**	03-0601-13	Piston	1
	03-0610-10	Piston (High Volume)	1
18**	03-0201-20	O-Ring	1
19**	03-0204-20	O-Ring	1
20**	03-0603-14	Outlet Valve Body	1
21**	03-0401-20	Outlet Check Ball	1
22**	03-0302-20	Outlet Valve Spring	1
23**	03-0911-30	Quick Connect Coupling	1
	03-0926-20	#143 Valve Stem	1
24	04-0103-20	#10-32 x 1 1/4" Socket Head Cap Screws	3
25	04-2003-41	Solenoid Valve (State Voltage & Cycles)	1
	04-1310-20	Solenoid Valve Coil (State Voltage & Cycles)	1
	04-0966-20	Solenoid Valve Repair Kit	1
26	03-2110-33	Complete Pump Unit (Includes parts marked **)	*
	03-2111-30	Complete Pump Unit (High Volume) (Includes parts marked **)	*
	03-2053-32	Pump Rebuild Kit	1
	03-2079-31	Pump Rebuild Kit (High Volume)	1
27**	03-0137-20	#10-32 x 3/16" Set Screw	1
28**	03-0611-10	Brass Lock Insert	1

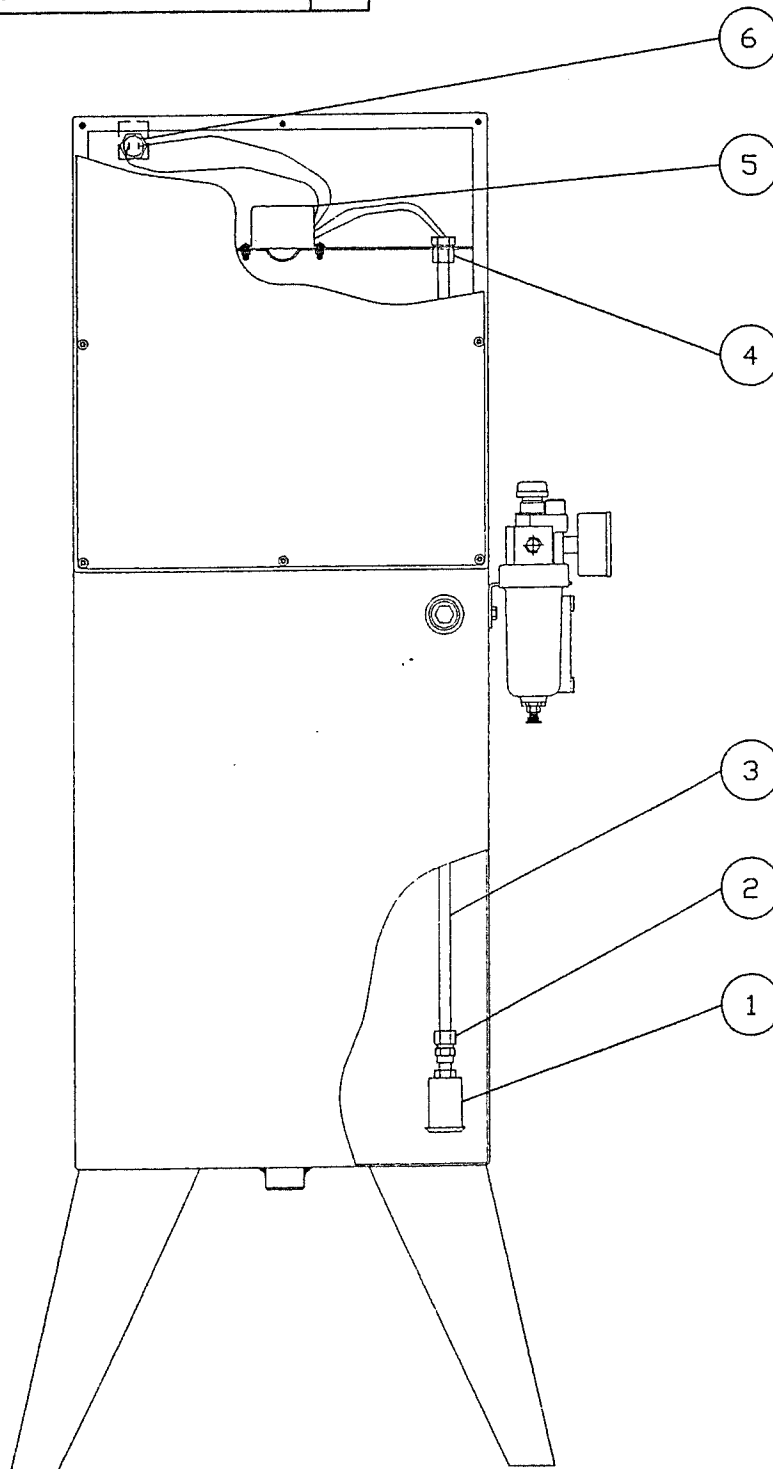
NOTE: *One (1) required for each pump unit on system.

11/8/88



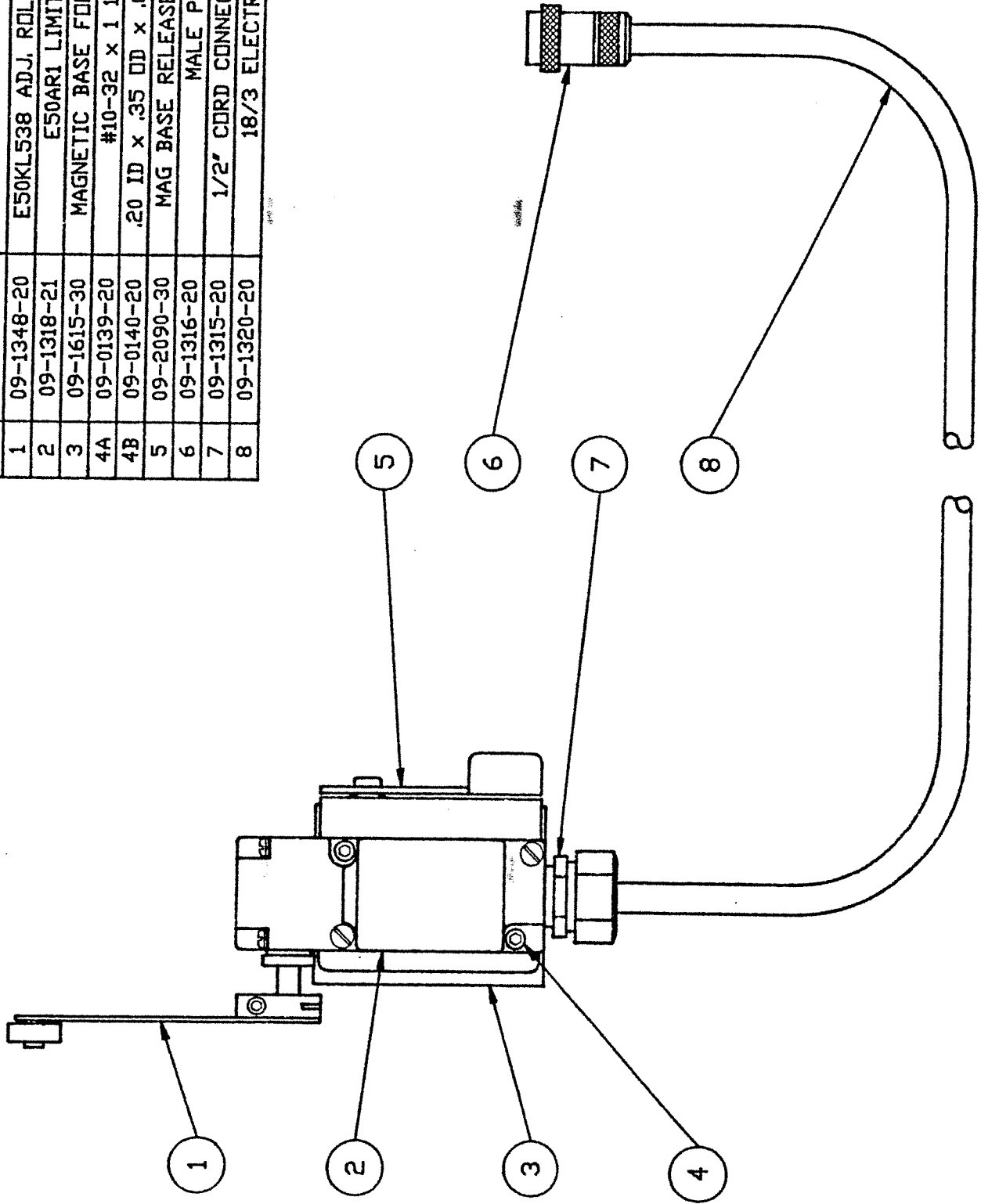
15 & 30 GALLON LUBE SYSTEM
PUMP AND MANIFOLD ASSEMBLY

KEY NO.	PART NO.	DESCRIPTION	QTY.
1	07-1501-22	FLOAT SWITCH	1
2	07-0995-20	FEMALE CONNECTOR	1
3	07-1107-41	WIRE ENCLOSURE	1
4	07-0916-40	FEMALE CONNECTOR	1
5	07-1324-20	RELAY	1
6	07-2094-30	LIGHT ASSY. (CONSISTS OF)	1
	08-1353-20	LEGEND PLATE	1
	08-1356-20	INDICATING LAMP - BASE	1
	08-1357-20	INDICATING LAMP - BULB	1
	08-1358-20	INDICATING LAMP - RED LENS	1
	08-1362-20	FEMALE DISCONNECT TERMINAL	2

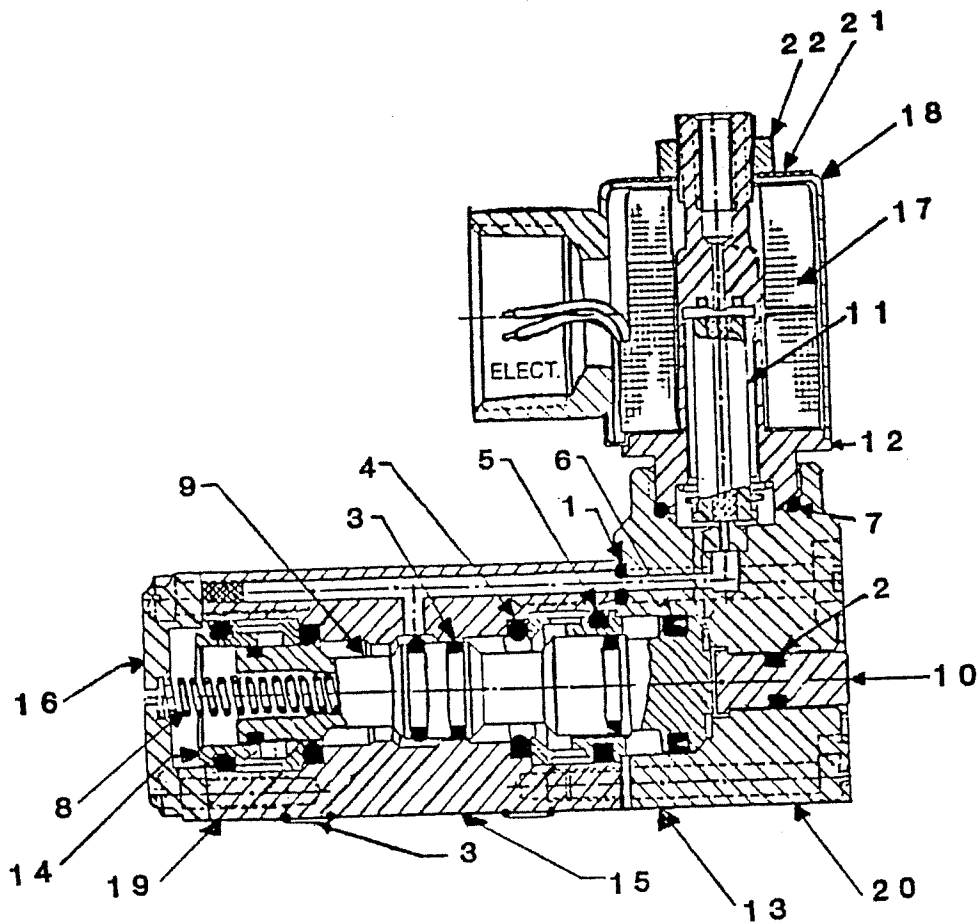


15 AND 30 GAL
PAX LUBE SYSTEM
LOW LEVEL FLOAT CONTROL
WITH LIGHT OPTION

KEY NO.	PART NO.	DESCRIPTION	QTY.
1	09-1348-20	E50KL538 ADJ. ROLLER LEVER ARM	1
2	09-1318-21	E50AR1 LIMIT SWITCH	1
3	09-1615-30	MAGNETIC BASE FOR LIMIT SWITCH	1
4A	09-0139-20	#10-32 x 1 1/2" SHCS	2
4B	09-0140-20	.20 ID x .35 OD x .062 LOCKWASHER	2
5	09-2090-30	MAG BASE RELEASE LEVER ASSY.	1
6	09-1316-20	MALE PLUG	1
7	09-1315-20	1/2" CORD CONNECTOR #3702-2	1
8	09-1320-20	18/3 ELECTRIC CORD	10'



MAGNETIC BASE LIMIT SWITCH OPTION



<u>ITEM NUMBER</u>	<u>PART NUMBER</u>	<u>DESCRIPTION</u>	<u>QUANTITY</u>
	04-0966-21	Solenoid Valve Repair Kit	
1	04-0208-20	O-Ring	1
2	04-0213-20	O-Ring	1
3	04-0212-20	O-Ring	9
4	04-0210-20	O-Ring	2
5	04-0211-20	O-Ring	2
6	04-0207-20	"U" Cup	1

ADDITIONAL REPAIR PARTS

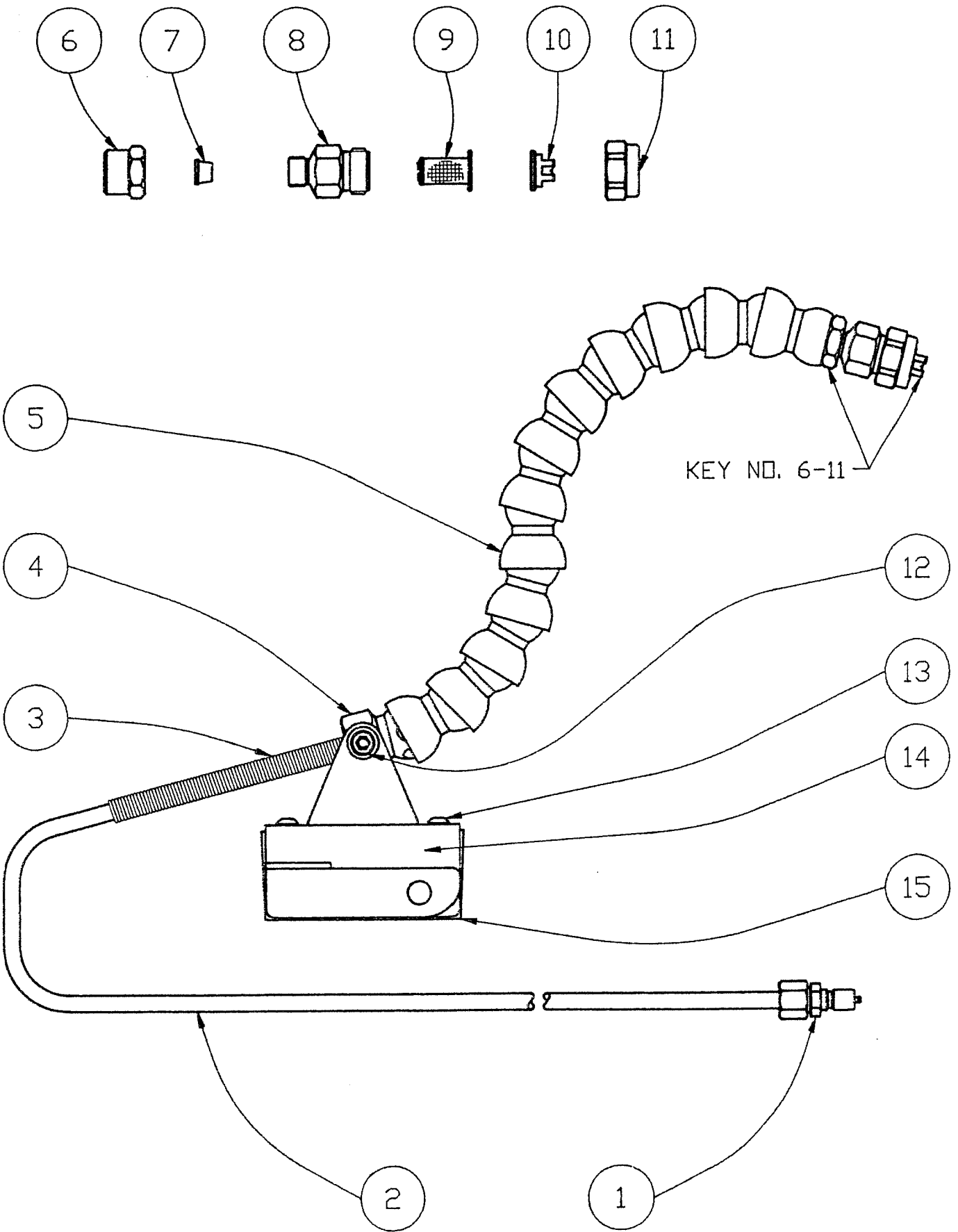
7	04-0214-20	Gasket	1
8	04-0303-20	Spring	1
9	04-0971-20	Spool	1
10	04-0972-20	Manual Operation Pin	1
11	04-0976-20	Plunger Assembly	1
12	04-0977-20	Sleeve	1
13	04-0978-20	Solenoid Cap	1
14	04-0979-20	Retainer	2
15	04-0980-20	Body	1
16	04-0981-20	End Cap	1
17	04-1310-20	Solenoid Coil (Specify Voltage)	1
18	04-1341-20	Coil Cover	1
19	04-0136-20	Screw	4
20	04-0135-20	Screw	4
21	04-0134-20	Washer	1
22	04-0133-20	Nut	1

04-2003-41

SOLENOID VALVE

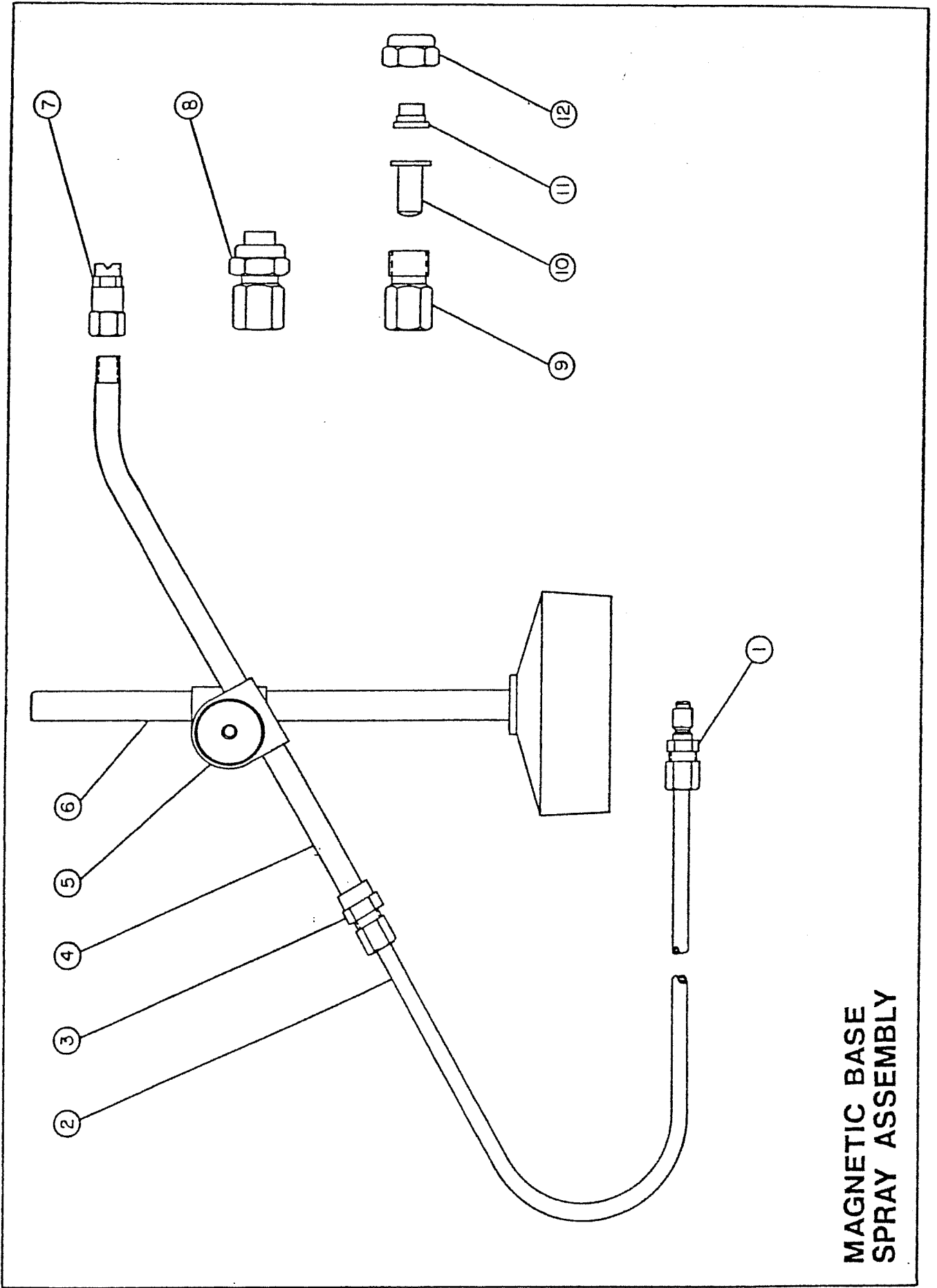
SPECIFICATIONS

Valve body.....	See Parts List, opposite
Material, valve bodies, plungers, actuators.....	machined aluminum
Flow Diameter, K 4.7 valves.....	4.7mm (3/16 in.)
Cv, K 4.7 valves.....	0.7
Pilot Pressure, EXPilot and remote pilot minimum, K 4.7 valves.....	2.4 bar (35 psi)
Operating Pressure, maximum.....	12.0 bar (175 psi)
Operating Pressure, minimum (Lubricated Air).....	2.4 bar (35 psi)
Operating Pressure, minimum (Oil Free).....	3.4 bar (50 psi)
Solenoid Voltage.....	120V, 60Hz standard. Virtually any other AC or DC coil is available. To order other than standard coil, add desired voltage and frequency (or DC) to valve part number.
Solenoid Coil Power, nominal.....	7W
Temperature, Ambient and Media (Solenoid Valves).....	In average AC service: -15°C to 65°C (5°F to 150°F) (For continuous duty above 50°C (120°F), also use "-3BC" instead of "-3TC".) In average DC service: -15°C to 50°C (5°F to 120°F).
Solenoid Current, 120V, 60 Hz coil (Inrush).....	0.12A
(Holding).....	0.07A
Coil Insulation.....	Molded Epoxy
Threads, Electrical Conduit (on coil housings).....	¼ in. NPT



FLEXIBLE TUBE MAGNETIC BASE SPRAY ASSY.

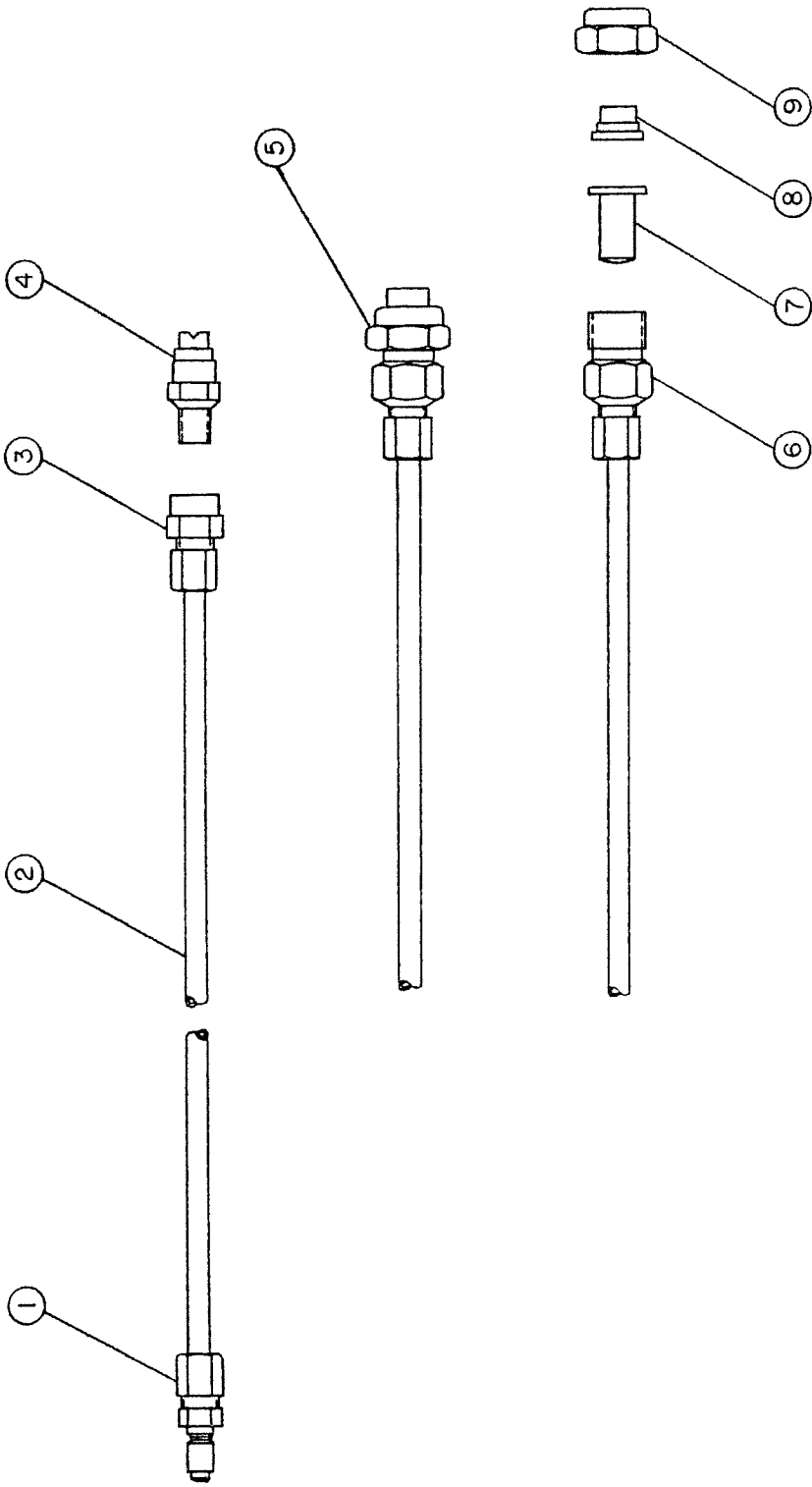
<u>KEY NO.</u>	<u>PART NO.</u>	<u>DESCRIPTION</u>	<u>QTY.</u>
1	06-0928-32	QUICK CONNECT PLUG ASSY.	1
2	06-1104-40	1/4" x 96' TUBING	1
3	06-0304-20	FLEXTUBE ANTI-KINK SPRING	1
4	06-1627-10	FLEXTUBE BRACKET ADAPTER SEGEMENT	1
5	06-1625-20	FLEXTUBE SEGMENT	12
6	06-1626-10	FLEXTUBE NOZZLE ADAPTER INSERT	1
7	01-0929-20	COMPRESSION SLEEVE	1
8	06-0985-10	NOZZLE BODY (FOR 1/4" TUBING)	1
9	06-0925-20	CHECK VALVE / STRAINER ASSY.	1
10	06-0973-20	25015 SPRAY TIP	1
	06-0951-20	50015 SPRAY TIP	1
	06-0950-20	80015 SPRAY TIP	1
	06-0952-20	110015 SPRAY TIP	1
	06-0958-20	TG0.3 SPRAY TIP	1
	06-0953-20	TG0.5 SPRAY TIP	1
	06-0959-20	TG0.7 SPRAY TIP	1
	06-0954-20	TG1 SPRAY TIP	1
	06-0955-20	TG2 SPRAY TIP	1
	06-0956-20	TK1.5 SPRAY TIP	1
11	06-0932-20	TIP RETAINER	1
12A	06-0141-20	1/4-28 x 3/8" SHCS	2
12B	06-0121-21	1/4" FLAT WASHER - STAINLESS STEEL	2
13	01-0122-22	10-32 x 3/8" BHCS	2
14	06-2093-30	MAG BASE RELEASE LEVER ASSY. - FLEXTUBE	1
15	09-1615-30	MAGNETIC BASE - FLAT TOP	1
ASSY.	06-2101-31	25015 FLEX TUBE MAG BASE SPRAY ASSY.	-
ASSY.	06-2102-31	50015 FLEX TUBE MAG BASE SPRAY ASSY.	-
ASSY.	06-2103-31	80015 FLEX TUBE MAG BASE SPRAY ASSY.	-
ASSY.	06-2104-31	110015 FLEX TUBE MAG BASE SPRAY ASSY.	-
ASSY.	06-2105-31	TG0.3 FLEX TUBE MAG BASE SPRAY ASSY.	-
ASSY.	06-2106-31	TG0.5 FLEX TUBE MAG BASE SPRAY ASSY.	-
ASSY.	06-2107-31	TG0.7 FLEX TUBE MAG BASE SPRAY ASSY.	-
ASSY.	06-2108-31	TG1 FLEX TUBE MAG BASE SPRAY ASSY.	-
ASSY.	06-2109-31	TG2 FLEX TUBE MAG BASE SPRAY ASSY.	-
ASSY.	06-2115-31	TK1.5 FLEX TUBE MAG BASE SPRAY ASSY.	-
ASSY.	06-2116-31	FLEX TUBE MAG BASE SPRAY ASSY. - LESS TIP	-



**MAGNETIC BASE
SPRAY ASSEMBLY**

<u>KEY NO</u>	<u>PART NO</u>	<u>DESCRIPTION</u>	<u>QTY</u>
1	06-0928-32	Quick Connect Plug	1
2	06-1104-40	1/4" x 96" Tubing	1
3	06-0910-20	Female Connector	1
4	06-1612-10	Pipe	1
5	06-1614-30	Clamp Assembly	1
6	06-1613-30	Magnetic Base	1
7	06-0940-20	1/8G6SQ Spray Nozzle Square Spray Pattern	1
	06-0941-20	1/8G3.6SQ Spray Nozzle Square Spray Pattern	1
8	06-0948-30	1/8T80015 Spray Nozzle 80° Flat Spray Pattern	1
	06-0947-30	1/8T50015 Spray Nozzle 50° Flat Spray Pattern	1
	06-0949-30	1/8T110015 Spray Nozzle 110° Flat Spray Pattern	1
	06-0944-30	1/8TG0.3 Spray Nozzle Full Cone Spray Pattern	1
	06-0945-30	1/8TG0.5 Spray Nozzle Full Cone Spray Pattern	1
	06-0946-30	1/8TG0.7 Spray Nozzle Full Cone Spray Pattern	1
	06-0942-30	1/8TG1 Spray Nozzle Full Cone Spray Pattern	1
	06-0943-30	1/8TG2 Spray Nozzle Full Cone Spray Pattern	1
	06-0964-30	1/8TK1.5 Spray Nozzle 90° Deflected Flat Spray	1
9	06-0937-20	Spray Nozzle Body	1
10	06-0925-20	Check-Strainer Assembly	1
11	06-0950-20	#80015 Spray Tip	1
	06-0951-20	#50015 Spray Tip	1
	06-0952-20	#110015 Spray Tip	1
	06-0958-20	#TG0.3 Spray Tip	1
	06-0953-20	#TG0.5 Spray Tip	1
	06-0959-20	#TG0.7 Spray Tip	1
	06-0954-20	#TG1 Spray Tip	1
	06-0955-20	#TG2 Spray Tip	1
	06-0956-20	#TK1.5 Spray Tip	1
12	06-0932-20	Tip Retainer	1

NOTE: #7 & #8 Additional types of spray nozzles are available and can be ordered as specials.



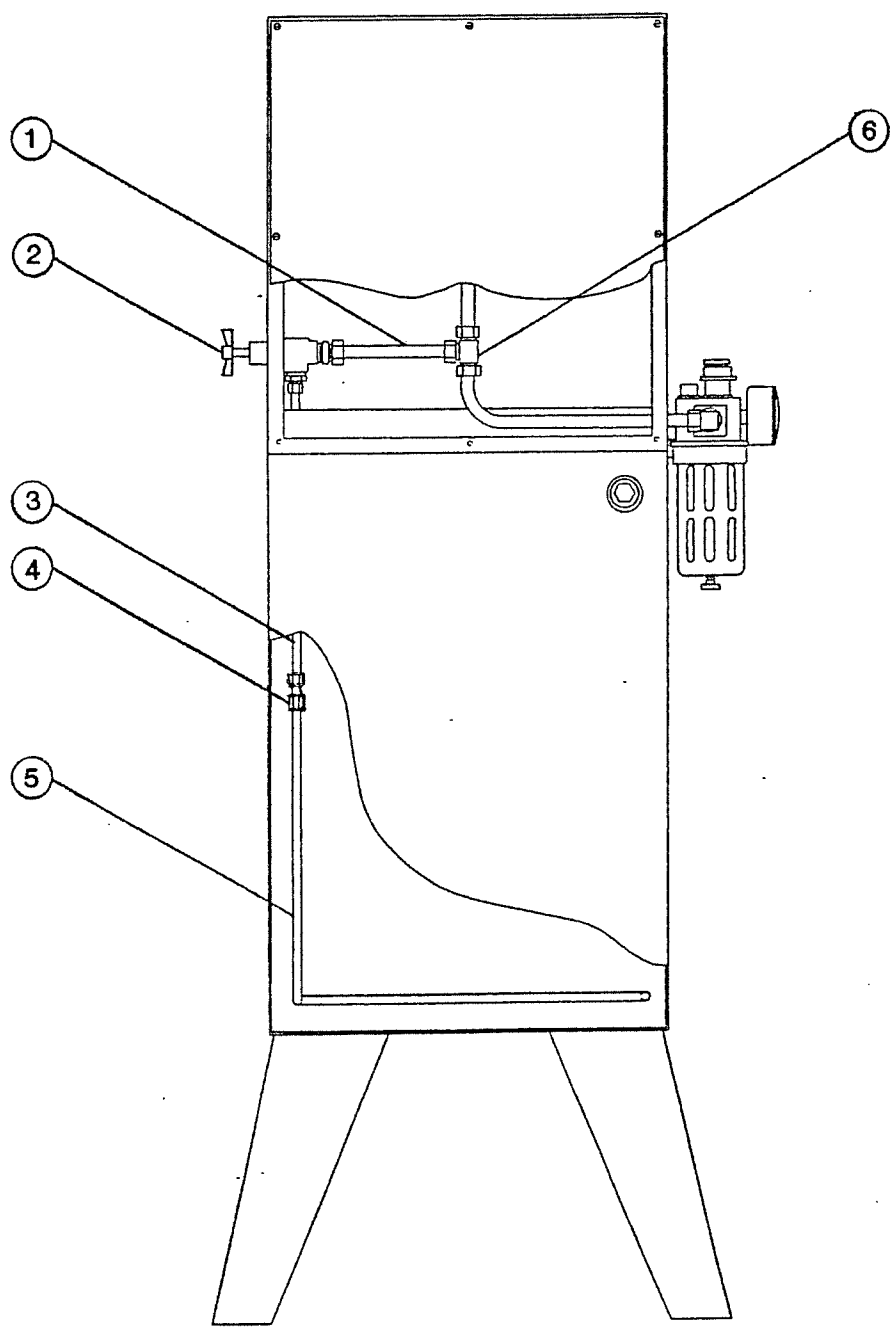
SPRAY NOZZLE ASSEMBLY

<u>KEY NO</u>	<u>PART NO</u>	<u>DESCRIPTION</u>	<u>QTY</u>
1	06-0928-32	Quick Connect Plug	1
2	06-1104-40	1/4" x 96" Tubing	1
3	06-0910-20	Female Connector	1
4	06-0920-20	1/8GG6SQ Spray Nozzle Square Spray Pattern	1
	06-0921-20	1/8GG3.6SQ Spray Nozzle Square Spray Pattern	1
5	06-0986-30	1/4TTT80015 Spray Nozzle 80° Flat Spray Pattern	1
	06-0987-30	1/4TTT50015 Spray Nozzle 50° Flat Spray Pattern	1
	06-0988-30	1/4TTT110015 Spray Nozzle 110° Flat Spray Pattern	1
	06-0989-30	1/4TTTG0.3 Spray Nozzle Full Cone Spray Pattern	1
	06-0990-30	1/4TTTG0.5 Spray Nozzle Full Cone Spray Pattern	1
	06-0991-30	1/4TTTG0.7 Spray Nozzle Full Cone Spray Pattern	1
	06-0992-30	1/4TTTG1 Spray Nozzle Full Cone Spray Pattern	1
	06-0993-30	1/4TTTG2 Spray Nozzle Full Cone Spray Pattern	1
	06-0994-30	1/4TTTK1.5 Spray Nozzle 90° Deflected Flat Spray	1
6	06-0985-10	Spray Nozzle Body - 1/4" Tubing	1
	06-0931-11	Spray Nozzle Body - 1/8 Male Pipe	1
7	06-0925-20	Check-Strainer Assembly	1
8	06-0950-20	#80015 Spray Tip	1
	06-0951-20	#50015 Spray Tip	1
	06-0952-20	#110015 Spray Tip	1
	06-0958-20	#TGO.3 Spray Tip	1
	06-0953-20	#TGO.5 Spray Tip	1
	06-0959-20	#TGO.7 Spray Tip	1
	06-0954-20	#TG1 Spray Tip	1
	06-0955-20	#TG2 Spray Tip	1
	06-0956-20	#TK1.5 Spray Tip	1
9	06-0932-20	Tip Retainer	1

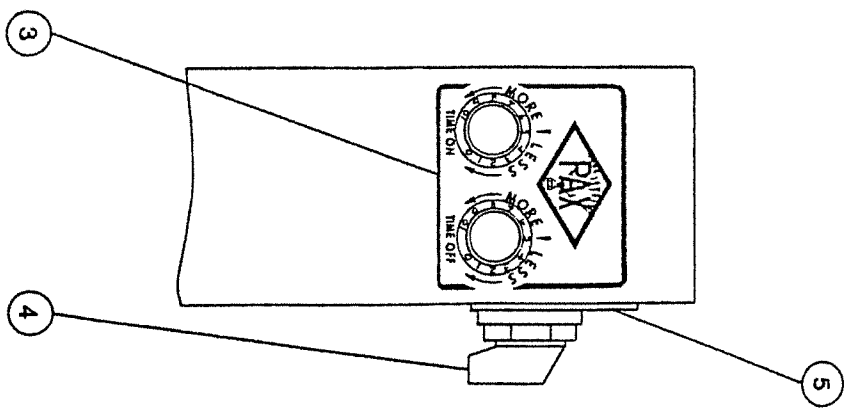
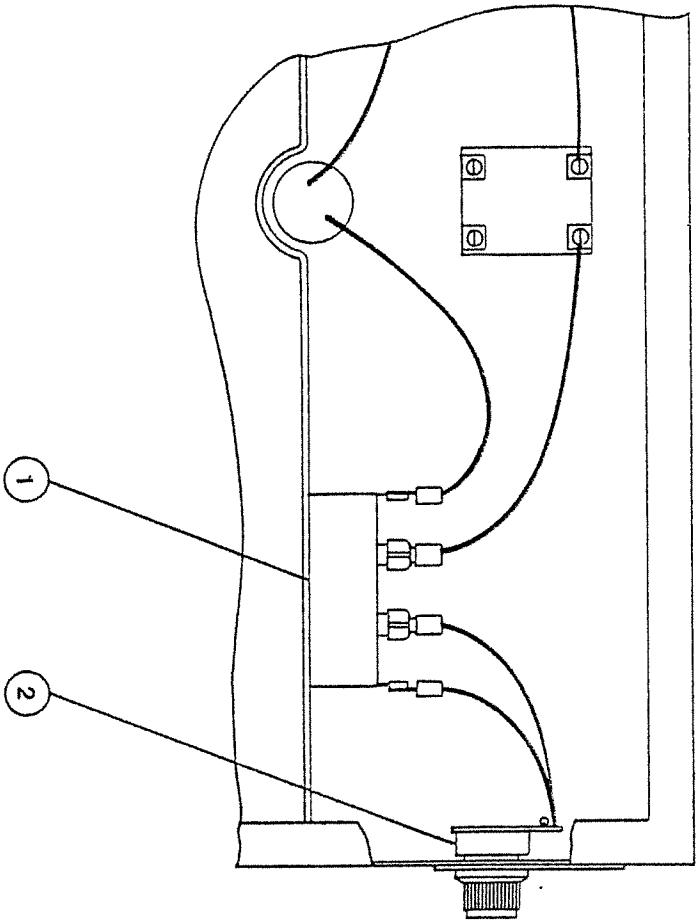
NOTE: Key #4 & #5 additional types of spray nozzles are available and can be ordered as specials.

2/10/87

<u>KEY NO</u>	<u>PART NO</u>	<u>DESCRIPTION</u>	<u>QTY</u>
1	01-1122-40	Agitation Supply Line	1
2	01-2078-30	Needle Valve Assembly	1
3	01-1120-40	Agitation Connecting Line	1
4	01-0902-20	Union	1
5	01-1121-40	Agitation Tube	1
6	01-0957-20	Union Tee	1

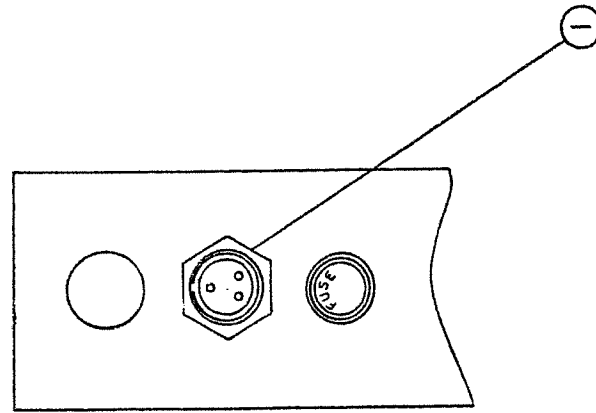
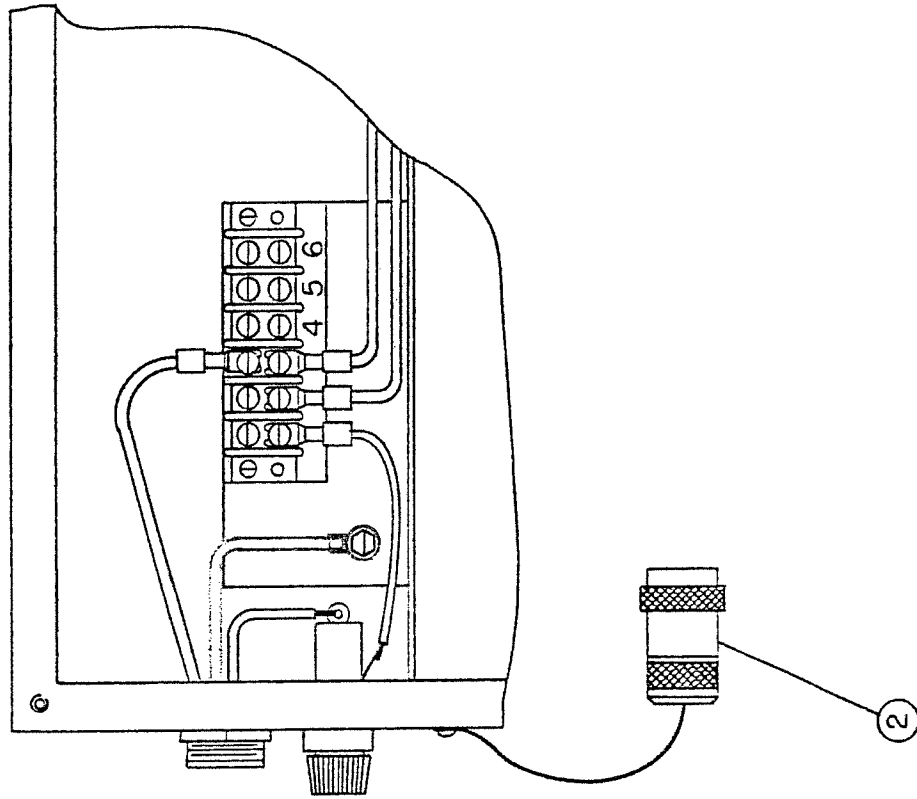


AIR AGITATION OPTION



KEY NO.	PART NO.	DESCRIPTION	QTY.
1	08-1308-23	TIMER MODULE	1
2	08-2047-32	POTENTIOMETER ASSEMBLY	1
3	08-1333-21	TIMER LABEL	1
4	08-1314-22	2 POSITION SWITCH	1
5	08-1321-21	3 POSITION SWITCH	1
	08-1331-21	2 POS. NAMEPLATE	1
	08-1332-21	3 POS. NAMEPLATE	1

STD. & DUAL LUBE SYSTEM
TIMER OPTION



KEY NO.	PART NO.	DESCRIPTION	QTY.
2	05-1316-40	JUMPER PLUG	1
1	05-1317-20	RECEPTACLE	1

EXTERNAL SOURCE OPTION